

# Twintec Cable *TT3450S* *TT3450T*

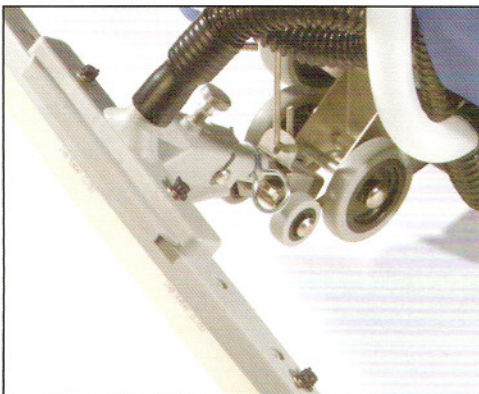
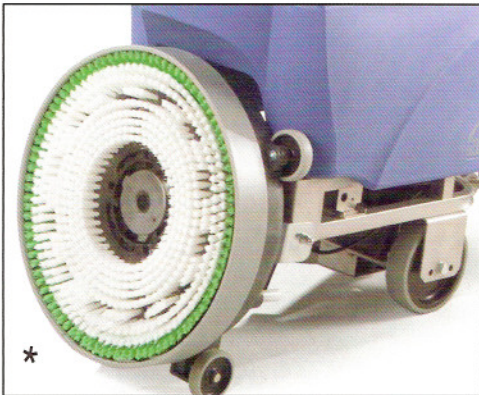
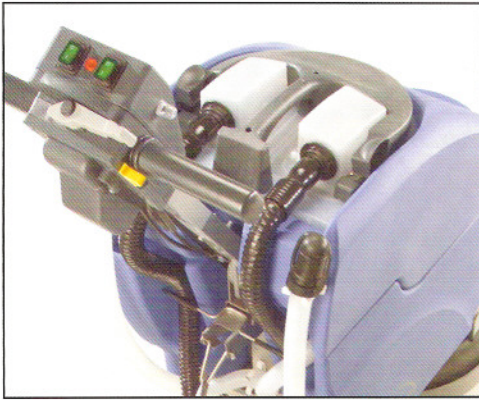
Yes, the first really practical, simple to use, combination machine built on a full stainless steel chassis that will revolutionize your whole thinking in terms of cost effective hard floor cleaning.

Here you have a machine that is easy to use, easy to fill, easy to empty, easy to move, easy to transport and easy to service.

The motor and power transmission is well and truly oversized and complimented in everyway by our high performance Twinflo<sup>®</sup> vacuum collection system and full floating polyurethane semi-parabolic floor nozzle.

Full 30-litre capacity with a choice of single or twin 15-litre dirty water tanks, with a heavy duty 450mm scrubbing head which will leave you with clean and dry floors even in the most arduous of applications.

\* The patented folding power head system allows for both easy storage, brush changing and movement when not in use.



TT3450S  
Single Tank

TT3450T  
Twin Tank

*The TT3450 machine is where it all started ... this is the third generation and it shows what can be achieved by staying faithful to good engineering and sound common sense.*

Brush Motor	Vac Motor	Power	Diameter	Speed	Capacity	Range	Weight	Size
1000W	1200W	230V AC 50Hz	450mm	50Hz=150rpm 60Hz=180rpm	30L	42m	57Kg	1150 x 1030 x 740mm

Also available in 115V/120V specification. Photographs may include extra items for illustration purposes only.